

Relay Socket

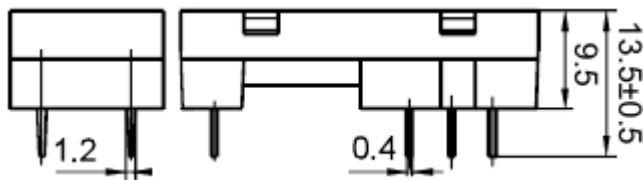
TH-□C

Characteristics

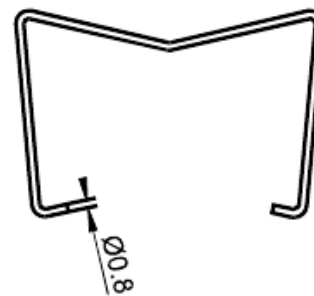
- Temperature range : -40°C to 70°C
- Nominal voltage : 250VAC
- Nominal current : 10A
- Dielectric strength(Min.) : 5000Vrms
- Unit weight : Approx. 3g
- Type: PCB terminal, PCB or Screw mounting
- Applicable relay type : TH, THD, CH and SH series



Outline Dimensions

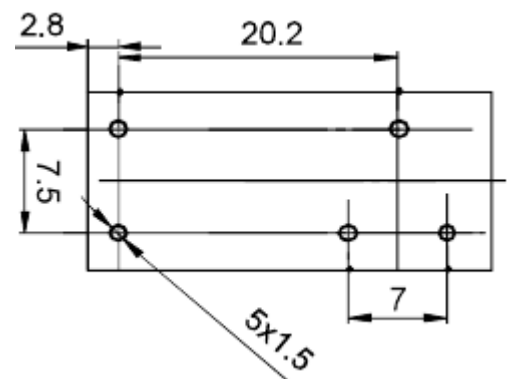
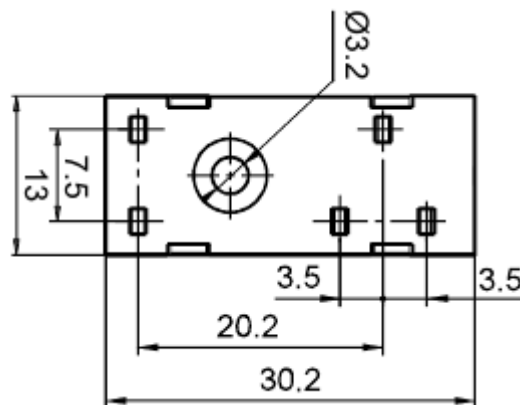


Retainer Dimension

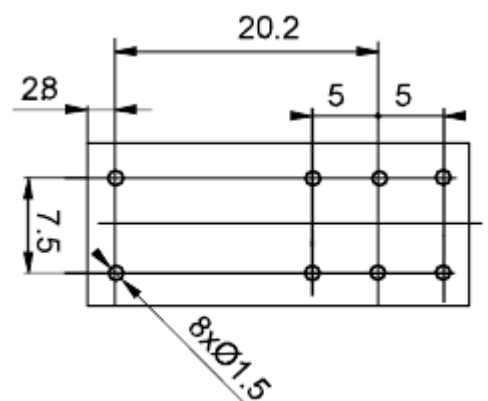
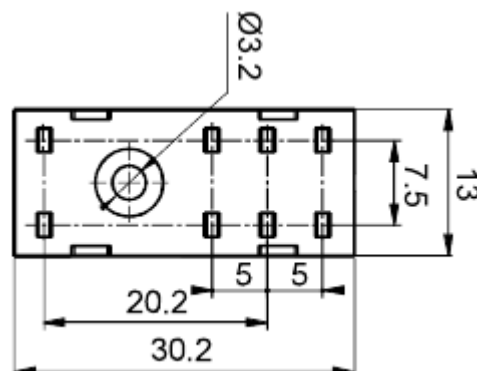


TH-M: Height 15mm
 CH-M: Height 20mm
 SH-M: Height 25mm

TH-1C (Top View)



TH-2C (Top View)



Note: Two pole of socket load must connect parallel.

Things to be noticed when selecting sockets:

1. Please choose suitable relay socket according to the actual mounting environment, relay contact poles and terminal layout. If there is any query on selection, please contact TEXCELL for the technical service.
2. Relevant accessories must be selected separately. Please indicate the model of the selected accessories when ordering.
3. Main outline dimension, outline dimension $>50\text{mm}$, tolerance should be $\pm 1\text{mm}$; $20\text{mm} < \text{outline dimension} \leq 50\text{mm}$, tolerance should be $\pm 0.5\text{mm}$; $5\text{mm} < \text{outline dimension} \leq 20\text{mm}$, tolerance should be $\pm 0.4\text{mm}$, outline dimension $\leq 5\text{mm}$, tolerance should be $\pm 0.3\text{mm}$.
4. DIN rail mounting: recommend to use standard rail $35 \times 7.5 \times 1\text{mm}$, $35 \times 15 \times 1\text{mm}$.